

**Enquiry form
Electric- and
heavy duty cylinders**



Enquiry form motors and controllers for electric cylinders / heavy duty cylinders

RK Rose+Krieger GmbH
 Potsdamer Strasse 9
 32423 Minden/Germany
 Telephone: +49 (0)571 9335-0
 Fax: +49 (0)571 9335-119
 E-mail: anfrage.vertrieb@rk-online.de
 Date:.....

Customer number:
 Company:.....
 Project:.....
 Telephone:.....
 E-mail:.....
 Contact:.....
 Department:.....

Motor type:

DC motor

Control:	Input voltage:
<input type="checkbox"/> Hand switch	<input type="checkbox"/> 230V
<input type="checkbox"/> PLC	<input type="checkbox"/> 110V
<input type="checkbox"/> PC/USB	<input type="checkbox"/> 24V
<input type="checkbox"/>	<input type="checkbox"/> Battery

Three-phase drive

Worm gear motor:	<input type="checkbox"/> Yes	<input type="checkbox"/> No	Motor temperature monitoring:	<input type="checkbox"/> Yes	<input type="checkbox"/> No
Spur gear motor:	<input type="checkbox"/> Yes	<input type="checkbox"/> No	Required IP protection for motor/gear motor:.....		
Spiroplan gear motor:	<input type="checkbox"/> Yes	<input type="checkbox"/> No	With brake:	<input type="checkbox"/> Yes	<input type="checkbox"/> No
Motor voltage range:	V		Voltage for brake control: <input type="checkbox"/> 24V/DC <input type="checkbox"/> 230V/AC		
Motor frequency:	Hz		Motor encoder:.....	(e.g. incremental encoder, resolver, absolute encoder)	

Servo drive

Operating voltage from servo drive: 230V/AC
 400V/AC

Required IP protection for servo drive/ servo gear motor:.....	Positioning with set table max. 31 motion sets:	<input type="checkbox"/> Yes	<input type="checkbox"/> No
With brake: <input type="checkbox"/> Yes <input type="checkbox"/> No	Servo controller with function Positioning with function blocks:	<input type="checkbox"/> Yes	<input type="checkbox"/> No

Motor encoder: Absolute encoder Resolver

Cable length between system and control cabinet:
 2.5m 5m 7.5m 10m 12.5m 15m 20m

Positioning with master control system using field bus interface:
 (e.g. Profibus, Profinet, CanOpen, EtherCAT)

Operating temperature (0-40°):.....°

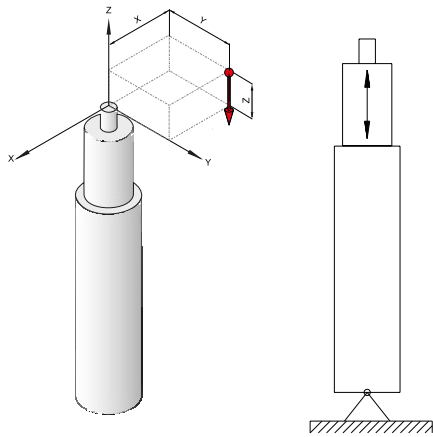
Other ambient conditions which differ from a normal hall climate (0 to 40°C):

.....

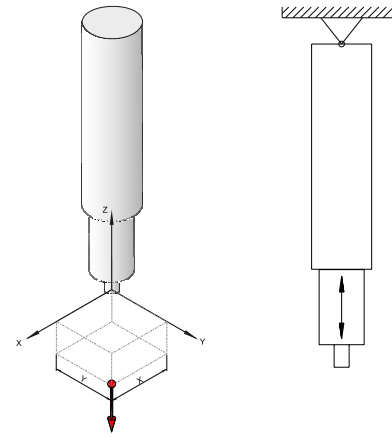
.....

.....

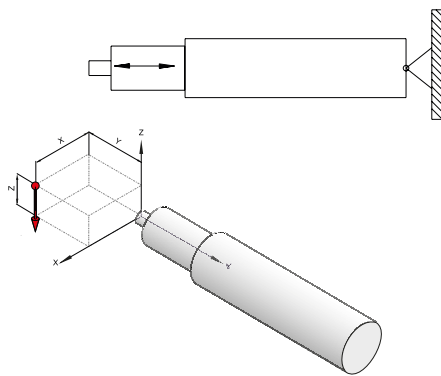
Application examples: 1 2 3 4 5 6



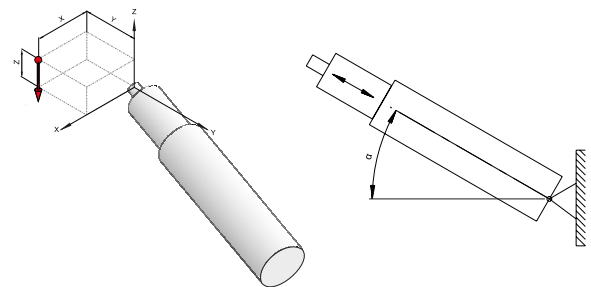
1



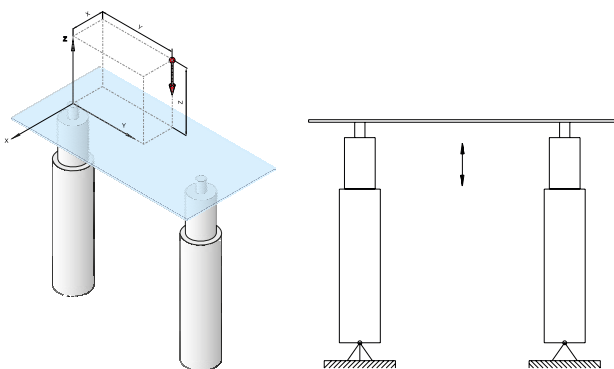
2



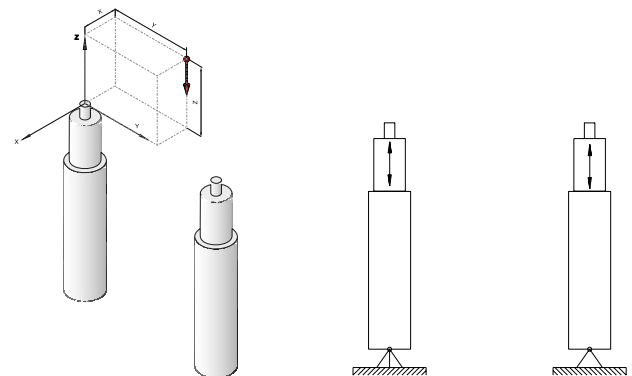
3



4



5



6